

# Oxygen/Acetylene

For 1/4" Twin Hose

**Oxygen/Acetylene** Reel is ideally applied when space and safety is required in the welding & cutting area. The reel is capable of storing and dispensing 50' length of twin welding hose.

Reels shipped standard of hose payout position pictured.  
Mounting Slots 1/2" wide x 3/4" deep for max 7/16" dia. bolt.

**Product Name:**

Hosetract Oxygen/Acetylene reel

**Manufacturer:**

Hosetract Industries Inc.  
6433 Discount Drive  
Fort Wayne, IN 46818  
www.hosetract.com

**Swivel:**

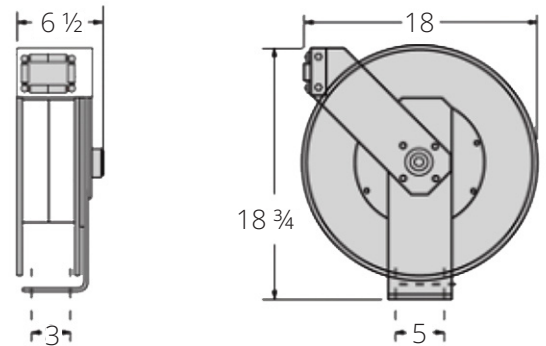
Anodized aluminum

**Features:**

- Safety banded spring in sealed springcase
- Non-sparking latch mechanism
- Our welding model swivel was designed to ensure extra safety. In the event of O-ring failure, the gases will go to the atmosphere instead of mixed in the line.
- The swivel is marked for the acetylene side with notches on the hex nuts for easy identification.
- 8-position guide arm.



**Oxy Inlet - 1/4" FTP**  
**Acet Inlet - 1/4" FTP**  
**Max. Temp. - 200°F**



**Standard front  
payout position**

**ACCESSORIES:**

**Hose Stop Assemblies**    **3164** - 1/4" twin hose

**Mount Assemblies**



**1279A** - I-Beam Bracket



**1282A** - Swivel Bracket

# Oxygen/Acetylene

For 1/4" Twin Hose

## COA SERIES

### Models without hose and hose stop

| Model #                 | Weight | PSI                      | Hose Capacity ID | Hose Capacity ft | Reel Inlet      | Reel Outlet                                |
|-------------------------|--------|--------------------------|------------------|------------------|-----------------|--|
| <b>Oxygen/Acetylene</b> |        | <b>Low Pressure Only</b> |                  |                  |                 |  |
| COA-200                 | 46     | 1000                     | 1/4"             | 50'              | 1/4" NPT (F) x2 | UNF 9/16" 18 (M) RH<br>UNF 9/16" 18 (M) LH |

### Models with hose and hose stop

| Model #                 | Weight | PSI                      | Hose ID | Hose Length ft | Reel Inlet      | Reel Outlet                                |
|-------------------------|--------|--------------------------|---------|----------------|-----------------|--|
| <b>Oxygen/Acetylene</b> |        | <b>Low Pressure Only</b> |         |                |                 |  |
| COA-250                 | 52     | 200                      | 1/4"    | 50'            | 1/4" NPT (F) x2 | UNF 9/16" 18 (F) RH<br>UNF 9/16" 18 (F) LH |