

SBM Series Mini

3/8" and 1/2" Manual Driven Hose Reels

SBM Series Mini with Swivel Base is a compact manual driven mini-reel for where space or weight is a critical factor. This product is ideally fitted into tight space applications for pressure wash or deployment of air tools in the construction trades.

| SERIES | DIMENSIONS | | |
|--------|------------|----|-------|
| | A | B | C |
| SB 10 | 10 | 12 | 7 3/4 |

Reels show with Hot Pressure Hose Mount.

Product Name:

Hosetract SBM Series Mini with Swivel Base

Manufacturer:

Hosetract Industries Inc.
6433 Discount Drive
Fort Wayne, IN 46818
www.hosetract.com

Features:

- Heavy duty ABS bearings require no lubrication for years of dependable service.
- External swivel can be serviced without taking down the reel.
- Steel construction with powder coated finish
- Adjustable tension knob and spool locking pin for easy handling
- Directional lock positions standard on base

Standard Accessories:

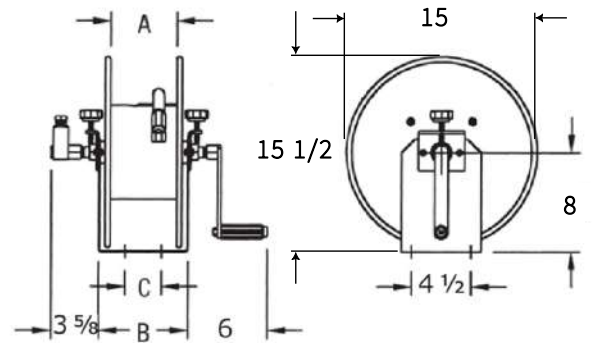
- Swivel elbow for hose hookup
- Reducer bushing
- Inlet swivel
- Crank handle

Mounting base selections(Add suffix):

- PW Hot Pressure Wash Mount
(shown on above reel assembly)
- WM Wall Mount
- BM Bench Mount



Inlet — 1/2" FPT Max. Temp. — 200°F



Bench Mount



Wall Mount

SBM Series Mini

3/8" and 1/2" Manual Driven Hose Reels

Swivel Base Mini Series

Models without hose and hose stop

| Model # | Weight | PSI | Hose Capacity 3/8" | Hose Capacity 1/2" | Reel Inlet | Reel Outlet |
|----------|--------|------|--------------------|--------------------|--------------|--------------|
| SB10H-PW | 38 | 4000 | 150' | 100' | 1/2" NPT (F) | 1/2" NPT (F) |
| SB10H-BM | 38 | 4000 | 150' | 100' | 1/2" NPT (F) | 1/2" NPT (F) |
| SB10H-WM | 38 | 4000 | 150' | 100' | 1/2" NPT (F) | 1/2" NPT (F) |