

Oxygen/Acetylene

For 1/4" Twin Hose

Oxygen/Acetylene Reel is ideally applied when space and safety is required in the welding & cutting area. The reel is capable of storing and dispensing 50' length of twin welding hose.

Reels shipped standard of hose payout position pictured.
Mounting Slots 1/2" wide x 3/4" deep for max 7/16" dia. bolt.

Product Name:

Hosetract Oxygen/Acetylene reel

Manufacturer:

Hosetract Industries Inc.
6433 Discount Drive
Fort Wayne, IN 46818
www.hosetract.com

Swivel:

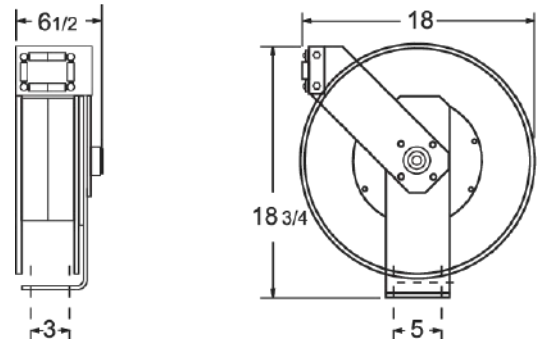
Anodized aluminum

Features:

- Safety banded spring in sealed springcase
- Non-sparking latch mechanism
- Our welding model swivel was designed to ensure extra safety. In the event of O-ring failure, the gases will go to the atmosphere instead of mixed in the line.
- The swivel is marked for the acetylene side with notches on the hex nuts for easy identification.
- 8-position guide arm.



Oxy Inlet - 1/4" FPT
Acet Inlet - 1/4" FPT
Max. Temp. - 200 F



Standard front
payout position

Oxygen/Acetylene

For 1/4" Twin Hose

COA SERIES

Models without hose and hose stop

Model #	Weight	PSI	Hose Capacity ID	Hose Capacity ft	Reel Inlet	Reel Outlet
Oxygen/Acetylene		Low Pressure Only				
COA-200	46	1000	1/4"	50'	1/4" NPT (F) x2	UNF 9/16" 18 (M) RH UNF 9/16" 18 (M) LH

Models with hose and hose stop

Model #	Weight	PSI	Hose ID	Hose Length ft	Reel Inlet	Reel Outlet
Oxygen/Acetylene		Low Pressure Only				
COA-250	52	200	1/4"	50'	1/4" NPT (F) x2	UNF 9/16" 18 (F) RH UNF 9/16" 18 (F) LH

ACCESSORIES:

Hose Stop Assemblies



3164 - 1/4" twin hose

Mount Assemblies



1279A - I-Beam Bracket



1282A - Swivel Bracket