

M-Series Mini Industrial Grade for Professional Use

For 3/8" and 1/2" Hose I.D.

M-Series Mini reels are compact manual driven mini-reel where space or weight is a critical factor. This product is ideally fitted into tight space applications such as small truck skid units for pesticides, pressure wash or deployment of air tools in the construction trade.

All reels shipped less hose unless requested on quote basis.

Mounting holes 1/2" dia.

	Dimensions		
	A	B	C
M 5-5-14	5	7	2 3/4
M 10-5-14	10	12	7 3/4

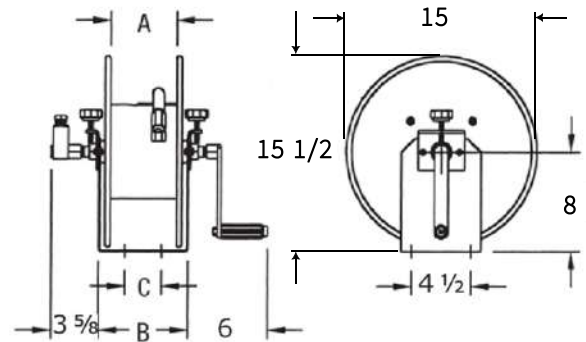

Product Name:

Hosetract M-Series Mini

Manufacturer:

Hosetract Industries Inc.
 6433 Discount Drive
 Fort Wayne, IN 46818
 www.hosetract.com

Inlet — 1/2" FPT Max. Temp. — 200°F


Features:

- Heavy duty ABS bearings require no lubrication for years of dependable service.
- Adjustable tension knob
- External swivel can be serviced on the reel
- Light weight and versatile
- Steel construction with powder coated finish

Standard Accessories:

- Swivel elbow for hose hookup
- Reducer bushing
- Inlet swivel
- Crank handle

M-Series Mini

Industrial Grade for Professional Use

For 3/8" and 1/2" Hose I.D.

M Series Mini

Models without hose and hose stop

Model #	Weight	PSI	Hose Capacity 3/8"	Hose Capacity 1/2"	Reel Inlet	Reel Inlet
M 5-5-14	20	4000	75'	50'	1/2" NPT (F)	1/2" NPT (F)
M 10-5-14	23	4000	150'	100'	1/2" NPT (F)	1/2" NPT (F)