

M- Series

For 3/4" and 1" Hose I.D.

M-Series are manual driven hose reels where long lengths of hose are required, as in Agriculture, Power Wash, Pest Control and Construction trades. Hose can be dispensed and retracted with greater ease and expedience than coiling by hand. Designed for heavy duty applications. All reels shipped less hose unless requested on quote basis. Mounting holes 1/2" dia.

| Series | Dimensions | | | | | |
|----------------|------------|--------|----------------|----|--------|--------|
| | A | B | C | | | |
| M 10-10 | 10 | 12 3/4 | 13 3/4 | | | |
| M 15-10 | 15 | 18 1/2 | 19 1/2 | | | |
| M 20-10 | 20 | 24 1/2 | M 25-10 | 25 | 28 1/2 | 29 1/2 |
| M 25-10 | 25 | 28 1/2 | 29 1/2 | | | |



Product Name:

Hosetract M-Series 3/4" & 1"

Manufacturer:

Hosetract Industries Inc.
6433 Discount Drive
Fort Wayne, IN 46818
www.hosetract.com

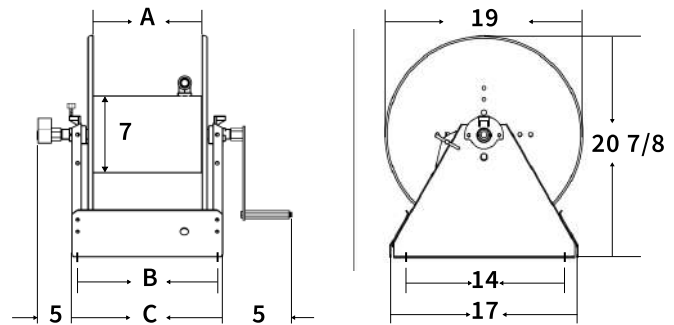
M-Series hose reels also available in stainless steel (MS series).

Features:

- External swivel can be serviced without taking down the reel
- Bolted construction
- Adjustable tension knob and spool locking pin for easy handling
- Mounting base is light and strong
- Steel construction with powder coated finish
- Heavy duty ABS bearings require no lubrication for years of dependable service.

Standard Accessories:

- Swivel elbow for hose hookup
- Reducer bushing
- Inlet swivel
- Crank handle



M-Series

For 3/4" and 1" Hose I.D.

M Series

Models without hose and hose stop

| Model # | Weight | PSI | Hose Capacity 3/4" | Hose Capacity 1" | Reel Inlet | Reel Outlet |
|---------|--------|------|--------------------|------------------|------------|-------------|
| M 10-10 | 40 | 1000 | 75' | 50' | 1" NPT (F) | 1" NPT (F) |
| M 15-10 | 51 | 1000 | 100' | 75' | 1" NPT (F) | 1" NPT (F) |
| M 20-10 | 62 | 1000 | 125' | 100' | 1" NPT (F) | 1" NPT (F) |
| M 25-10 | 74 | 1000 | 150' | 125' | 1" NPT (F) | 1" NPT (F) |