

M Series Stack Frame

Industrial Grade for Professional Use

For 3/8", 1/2", 3/4" and 1" Hose I.D.

M Series Stack Frame is a stackable manual driven hose reels for where long lengths of hose are required, as in Agriculture, Power Wash, Pest Control and Construction trades. Stackable frame makes it possible to store multiple unit into the tight space. Hose can be dispensed and retracted with greater ease and expedience than coiling by hand.

SERIES	DIMENSIONS		
	A	B	C
SFM 10	10	12 3/4	21 3/8
SFM 15	15	18 1/2	27 1/8
SFM 20	20	23 1/2	32 1/8
SFM 25	25	28 1/2	37 1/8

Pictured as two units. Each sold separately.
 All reels shipped less hose unless requested on quote basis.



Product Name:

Hosetract M Series Stack Frame

Manufacturer:

Hosetract Industries Inc.
 6433 Discount Drive
 Fort Wayne, IN 46818
 www.hosetract.com

Features:

- Space saving - additional hose storage by stacking
- The rewinding handle and the swivel's positions are interchangeable
- Stack capacity with no added parts
- Heavy duty ABS bearings require no lubrication for years of dependable service.
- External swivel can be serviced without taking down the reel
- Heavy duty construction with powder coated finish
- Bolted construction
- Adjustable tension knob and spool locking pin for easy handling
- Mounting base is light and strong
- 3 or 4 roller kits can be mounted top or bottom position (sold separately)

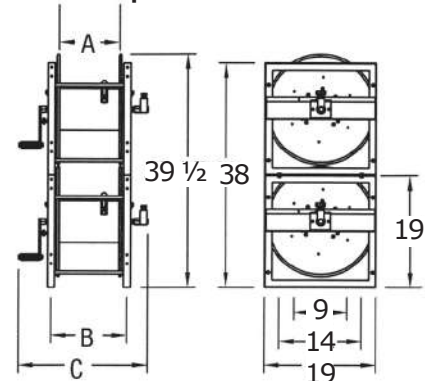
Note:

Recommended stacking limit at two (2) units high.

Standard Accessories:

- Swivel elbow for hose hookup
- Reducer bushing
- Inlet swivel
- Crank handle

Max. Temp. - 200°F



M Series Stack Frame Industrial Grade for Professional Use For 3/8", 1/2", 3/4" and 1" Hose I.D.

M Series - Stack Frame

Models without hose and hose stop

Model #	Weight	PSI	Hose Capacity 3/8"	Hose Capacity 1/2"	Reel Inlet	Reel Inlet
SFM 10-5	39	4000	250'	175'	1/2" NPT (F)	1/2" NPT (F)
SFM 15-5	51	4000	350'	275'	1/2" NPT (F)	1/2" NPT (F)
SFM 20-5	62	4000	450'	375'	1/2" NPT (F)	1/2" NPT (F)
SFM 25-5	74	4000	550'	475'	1/2" NPT (F)	1/2" NPT (F)
Model #	Weight	PSI	Hose Capacity 3/4"	Hose Capacity 1"	Reel Inlet	Reel Inlet
SFM 10-10	51	1000	75'	50'	1" NPT (F)	1" NPT (F)
SFM 15-10	51	1000	100'	75'	1" NPT (F)	1" NPT (F)
SFM 20-10	62	1000	125'	100'	1" NPT (F)	1" NPT (F)
SFM 25-10	74	1000	135'	125'	1" NPT (F)	1" NPT (F)