

SBM Series Mini With Swivel Base • Industrial Grade for Professional Use

3/8" and 1/2" Manual Driven Hose Reels

SBM Series Mini with Swivel Base is a compact manual driven mini-reel for where space or weight is a critical factor. This product is ideally fitted into tight space applications for pressure wash or deployment of air tools in the construction trades.

SERIES	DIMENSIONS		
	A	B	C
SB 10	10	12	7 3/4

Reels show with Hot Pressure Hose Mount.



Product Name:

Hosetract SBM Series Mini with Swivel Base

Manufacturer:

Hosetract Industries Inc.
6433 Discount Drive
Fort Wayne, IN 46818
www.hosetract.com

Features:

- Heavy duty ABS bearings require no lubrication for years of dependable service.
- External swivel can be serviced without taking down the reel.
- Steel construction with powder coated finish
- Adjustable tension knob and spool locking pin for easy handling
- Directional lock positions standard on base

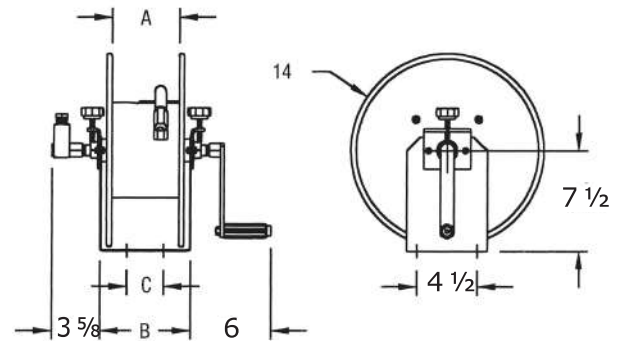
Standard Accessories:

- Swivel elbow for hose hookup
- Reducer bushing
- Inlet swivel
- Crank handle

Mounting base selections(Add suffix):

- PW Hot Pressure Wash Mount
(shown on above reel assembly)
- WM Wall Mount
- BM Bench Mount

Inlet — 1/2" FPT Max. Temp. — 200°F



Bench Mount



Wall Mount

SBM Series Mini With Swivel Base • Industrial Grade for Professional Use

3/8" and 1/2" Manual Driven Hose Reels

Swivel Base Mini Series

Models without hose and hose stop

Model #	Weight	PSI	Hose Capacity 3/8"	Hose Capacity 1/2"	Reel Inlet	Reel Outlet
SB10H-PW	38	4000	150'	100'	1/2" NPT (F)	1/2" NPT (F)
SB10H-BM	38	4000	150'	100'	1/2" NPT (F)	1/2" NPT (F)
SB10H-WM	38	4000	150'	100'	1/2" NPT (F)	1/2" NPT (F)