

G-Series Heavy Duty, Dual Base, Dual Guide Arm

For 3/8" and 1/2" Hose I.D.

G-Series is a heavy duty, double arm hose reel designed for durability. The reel is compact for space constraints and can hold up to 100 feet of 1/2" hose. This reel is designed with the ball bearings for smooth retraction, spring cassette for easy changeover and safety, and rounded flange edge for strength creating a robust reel for all applications.



Product Name:

Hosetract G-Series Low/Medium/High Pressure

Manufacturer:

Hosetract Industries Inc.
 6433 Discount Drive
 Fort Wayne, IN 46818
www.hosetract.com

Swivel:

Standard: Carbon Steel zinc coated
 Optional: Stainless Steel and Nickel Coated Steel

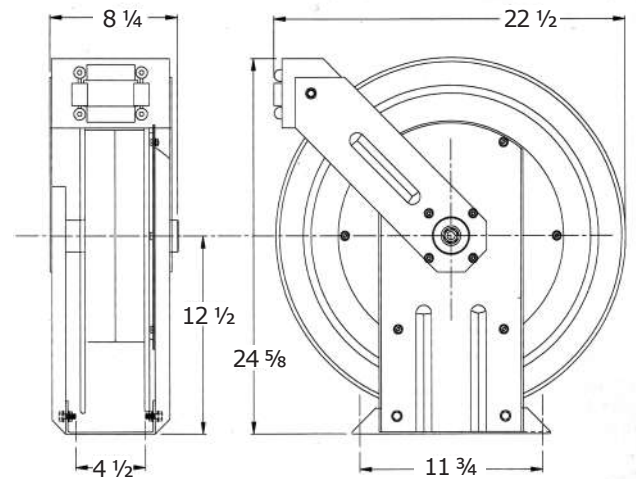
Features:

- Sealed roller bearings
- Reel arms can be adjusted to mount the reel on the ceiling, wall or truck.
- One piece steel fluid path for durability and unrestricted flow.
- 4 mounting slots in 11 gauge steel for easy and sturdy hose reel mounting.
- Double arm for added strength when unwinding the reel.
- Hidden latch mechanism to prevent grime buildup.
- Smooth ratchet and pawl design for easy unwinding and rewinding
- Safety banded spring in sealed springcase
- Non sparking latch mechanism

LG & MG - Inlet 1/2" FPT

HG - Inlet 3/8" FPT

Max. Temp. - 200°F



**Standard front
 payout position**

G-Series Heavy Duty, Dual Base, Dual Guide Arm

For 3/8" and 1/2" Hose I.D.

G Series

Models without hose and hose stop

Model #	Weight	PSI	Hose Capacity ID	Hose Capacity ft	Reel Inlet	Reel Outlet
LG-300	75	1000	3/8"	50'	1/2" NPT (F)	1/2" NPT (F)
LG-500	75	1000	1/2"	50'	1/2" NPT (F)	1/2" NPT (F)
MG-300	75	3000	3/8"	50'	1/2" NPT (F)	1/2" NPT (F)
MG-500	75	3000	1/2"	50'	1/2" NPT (F)	1/2" NPT (F)
HG-200	75	5000	1/4"	50'	1/4" NPT (F)	1/4" NPT (F)
HG-300	75	5000	3/8"	50'	1/4" NPT (F)	3/8" NPT (F)

Models with hose and hose stop

Model #	Weight	PSI	Hose ID	Hose Length ft	Reel Inlet	Hose End Fittings	
AW (Air/Water)		Low Pressure					
LG-375 ★	88	300	3/8"	75'	1/2" NPT (F)	1/4" NPT (M)*	
LG-3100 ★	92	300	3/8"	100'	1/2" NPT (F)	1/4" NPT (M)*	
LG-550 ★	88	300	1/2"	50'	1/2" NPT (F)	1/2" NPT (M)*	
LG-575 ★	93	300	1/2"	75'	1/2" NPT (F)	1/2" NPT (M)*	
LG-5100 ★	98	300	1/2"	100'	1/2" NPT (F)	1/2" NPT (M)*	
LU (Lubricants)		Medium Pressure					
MG-375	95	3000	3/8"	75'	1/2" NPT (F)	1/4" NPT (M)*	
MG-550	91	2750	1/2"	50'	1/2" NPT (F)	1/2" NPT (M)*	
MG-575	98	2750	1/2"	75'	1/2" NPT (F)	1/2" NPT (M)*	
GR (Grease)		Medium Pressure					
HG-2100	96	5000	1/4"	100'	1/4" NPT (F)	1/4" NPT (M)*	
HG-350	92	5000	3/8"	50'	1/4" NPT (F)	3/8" NPT (M)*	
HG-375	99	5000	3/8"	75'	1/4" NPT (F)	3/8" NPT (M)*	

*Can be furnished with different sizes upon request.

★: Comes with inlet hose assembly

ACCESSORIES:

Hose Stop Assemblies



1234A - 1/4"

1233A - 3/8"

1232A - 1/2"