

D-Series

For 3/8", 1/2", 3/4" and 1" Hose I.D.

D-Series reels are a rugged design for handling longer hose lengths up to 100' and ID from 3/8" to 1". Used for a wide variety of applications including air, water, oil, diesel fuel, used fluid evacuation, and applications where either long hose length or high flow rates are needed.

Reels available only in standard front hose payout position.
 Mounting holes 1/2" dia for max 3/8" dia. bolt



	3/8 & 1/2	1/2 Dual	3/4 & 1
A	12 1/2	16 1/2	20 7/8 *
B	6	10	10
C	10	14	14
D	11 5/8	15 5/8	15 5/8

*with swivel installed

Product Name:

Hosetract D-Series Low/Medium/High Pressure

Manufacturer:

Hosetract Industries Inc.
 6433 Discount Drive
 Fort Wayne, IN 46818
 www.hosetract.com

Swivel:

Standard: Carbon Steel zinc coated

Optional:

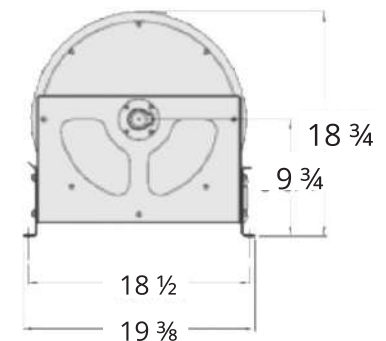
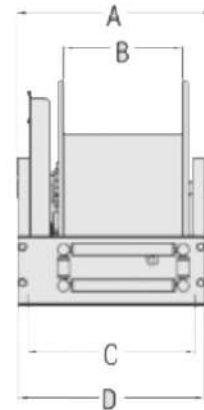
- Stainless Steel (DS -series)
- Model 21251B: 1/2" stainless steel liquid path includes shaft and swivel assembly for use with LD-500 reel
- Suffix SSB includes stainless steel shaft and swivel for D-700 or D-1000

Features:

- Safety banded spring sealed springcase
- Compact design
- Guide rollers allow frictionless retrieval of hose
- Heavy duty spool and frame design
- Nonsparking latch mechanism

3/8" & 1/2" Hose ID - Inlet 1/2" FPT
 3/4" & 1" Hose ID - Inlet 1" FPT

Max. Temp. - 200°F



**Standard front
 payout position**

D-Series

For 3/8", 1/2", 3/4" and 1" Hose I.D.

D Series

Models without hose and hose stop

Model #	Weight	PSI	Hose Capacity ID	Hose Capacity ft	Reel Inlet	Reel Outlet
LD-300	68	1000	3/8"	100'	1/2" NPT (F)	1/2" NPT (F)
LD-500	68	1000	1/2"	75'	1/2" NPT (F)	1/2" NPT (F)
LD-700	81	1000	3/4"	75'	1"NPT (F)	3/4"NPT (F)
LD-700-SSB	81	1000	3/4"	75'	1"NPT (F)	3/4"NPT (F)
LD-1000	95	1000	1"	50'	1"NPT (F)	1"NPT (F)
LD-1000-SSB	95	1000	1"	50'	1"NPT (F)	1"NPT (F)
MD-300	75	3000	3/8"	75'	1/2" NPT (F)	1/2" NPT (F)
MD-500	75	3000	1/2"	50'	1/2" NPT (F)	1/2" NPT (F)
MD-700	75	2000	3/4"	50'	1"NPT (F)	3/4"NPT (F)
MD-1000	95	2000	1"	50'	1"NPT (F)	1"NPT (F)
HD-300	70	5000	3/8"	75'	1/4" NPT (F)	1/4" NPT (F)
HD-500	70	4000	1/2"	50'	1/4" NPT (F)	3/8" NPT (F)

Models with hose and hose stop

Model #	Weight	PSI	Hose ID	Hose Length ft	Reel Inlet	Hose End Fitting
AW (Air/Water)		Low Pressure				
LD-3100	99	300	3/8"	100'	1/2" NPT (F)	1/4" NPT (M)*
LD-575	90	300	1/2"	75'	1/2" NPT (F)	1/2" NPT (M)*
LD-5100	99	300	1/2"	100'	1/2" NPT (F)	1/2" NPT (M)*
LD-750	95	300	3/4"	50'	1" NPT (F)	3/4" NPT (M)*
LD-775	101	300	3/4"	75'	1" NPT (F)	3/4" NPT (M)*
LD-1025	107	225	1"	25'	1" NPT (F)	1" NPT (M)*
LD-1050	121	225	1"	50'	1" NPT (F)	1" NPT (M)*
LU (Lubricants)		Medium Pressure				
MD-375	95	3000	3/8"	75'	1/2" NPT (F)	3/8" NPT (M)*
MD-575	95	2750	1/2"	75'	1/2" NPT (F)	1/2" NPT (M)*
MD-750	100	1500	3/4"	50'	1" NPT (F)	3/4" NPT (M)*
GR (Grease)		High Pressure				
HD-375	85	5000	3/8"	75'	1/4" NPT (F)	3/8" NPT (M)*

* Can be furnished with different sizes upon request.

- For 3/8" and 1/2" models, swivel is pre-installed inside of spool. External swivel for inlet hookup is not provided. For 3/4" and 1" models, swivel is included in the package.