

CS-Series Industrial Grade for Professional Use

For 3/8" and 1/2" Hose I.D.

CS-Series 304 STAINLESS STEEL Reels should be utilized in harsh environments, such as chemical clean up or when an exceptionally clean area has to be maintained for food or beverage process. Heavy gauge base with no welds or bolts, this product will give years of dependable service in high use applications.

Standard LCS series reels comes with zinc plated steel fluid path. Full stainless steel fluid path is available. Refer to swivel options section for detail.



Product Name:

Hosetract CS-Series

Manufacturer:

Hosetract Industries Inc.
 6433 Discount Drive
 Fort Wayne, IN 46818
 www.hosetract.com

Options:

- Air / Water application hose
- White washdown hose
- Chemical application hose
- Swivels: -SSB

Stainless steel with BUNA o'ring
 Includes stainless steel shaft
 250°F max temperature
 Swivel is rated 1000 PSI

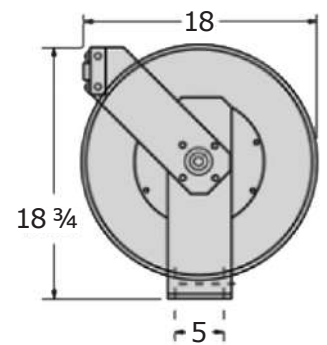
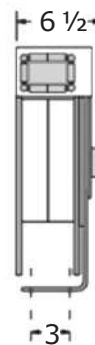
-SSV

Stainless steel with Viton o'ring
 Includes stainless steel shaft
 400°F max temperature
 Swivel is rated 1000 PSI

Features:

- Reel is made with 304 Stainless steel.
- Mounting Slots - 1/2" wide x 3/4" deep for max 7/16" dia. bolt
- Nonsparking latch mechanism
- Eight position guide arm allows easy adjustment to the position best suited.
- Full flow 1/2" shaft allows maximum delivery to the application point.
- Reels shipped standard front hose payout position.
- Safety banded spring sealed springcase

Inlet - 1/2" FPT
 Max. Temp. - 200°F



Standard front
 payout position

CS-Series Industrial Grade for Professional Use

For 3/8" and 1/2" Hose I.D.

STAINLESS CS SERIES (304)

Models without hose and hose stop						
Model #	Weight	PSI	Hose Capacity ID	Hose Capacity ft	Reel Inlet	Reel Outlet
LCS-300	40	1000	3/8"	70'	1/2" NPT (F)	1/2" NPT (F)
LCS-500	40	1000	1/2"	50'	1/2" NPT (F)	1/2" NPT (F)
LCS-300-SSB	40	1000	3/8"	70'	1/2" NPT (F)	1/2" NPT (F)
LCS-500-SSB	40	1000	1/2"	50'	1/2" NPT (F)	1/2" NPT (F)
LCS-300-SSV	40	1000	3/8"	70'	1/2" NPT (F)	1/2" NPT (F)
LCS-500-SSV	40	1000	1/2"	50'	1/2" NPT (F)	1/2" NPT (F)

Models with hose and hose stop						
Model #	Weight	PSI	Hose ID	Hose Length ft	Reel Inlet	Hose End Fittings
CH (Chemical)		Low Pressure				
LCS-350-CH	48	750	3/8"	50'	1/2" NPT (F)	3/8" NPT (M)*
LCS-370-CH	51	750	3/8"	70'	1/2" NPT (F)	3/8" NPT (M)*
LCS-550-CH	56	750	1/2"	50'	1/2" NPT (F)	1/2" NPT (M)*
WD (Washdown)		Low Pressure				
LCS-550-WD ★	56	250	1/2"	50'	1/2" NPT (F)	1/2" NPT (M)*
WD is white wash down hose with brass fittings and ferrules						
CH is chemical hose with brass fittings and ferrules						
SSB includes stainless steel shaft and swivel with BUNA Oring; 250F 1000PSI						
SSV includes stainless steel shaft and swivel with Viton Oring; 400F 1000PSI						
• Medium pressure is available. Consult with factory for details.						

*Can be furnished with different sizes upon request.

★: Comes with inlet hose assembly

ACCESSORIES:

Hose Stop Assemblies



1234A - 1/4"

1233A - 3/8"

1232A - 1/2"

Mount Assemblies



1279A - I-Beam Bracket



1282A - Swivel Bracket