

DS-Series

For 3/4" and 1" Hose I.D.

DS-Series 304 Stainless Steel Reels should be utilized in harsh environments, such as chemical clean up or when an exceptionally clean area has to be maintained for food or beverage process. Heavy gauge base with no welds or bolts, this product will give years of dependable service in high use applications.

Reels available only in standard front hose payout position.
 Mounting holes 1/2" dia. for max 3/8" dia. bolt

	3/4 & 1
A	20 7/8 *
B	10
C	14
D	15 5/8

* with swivel installed



Product Name:

Hosetract DS-Series

Manufacturer:

Hosetract Industries Inc.
 6433 Discount Drive
 Fort Wayne, IN 46818
 www.hosetract.com

Swivel:

All Stainless DS Series are shipped standard with a stainless steel fluid path and nickel coated steel swivel
 Stainless steel swivel is available as an option

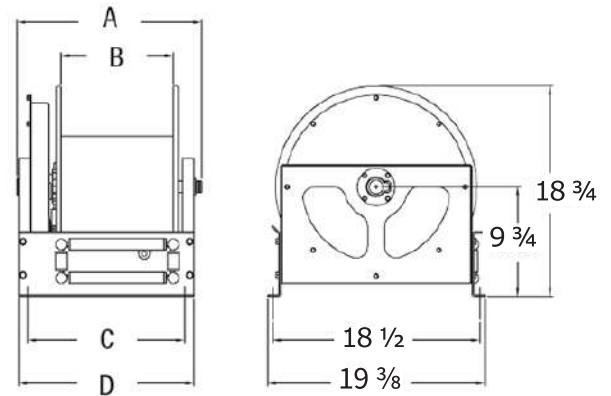
Hose Options Available:

- Air/Water application hose
- White washdown hose
- Chemical application hose

Features:

- Safety banded spring in sealed springcase
- Nonsparking latch mechanism
- Full 1" flow path
- Heavy duty spool and frame design

Inlet - 1" FPT
Max. Temp. - 200F



**Standard front
 payout position**

DS-Series

For 3/4" and 1" Hose I.D.

DS SERIES

Models without hose and hose stop

Model #	Weight	PSI	Hose Capacity ID	Hose Capacity ft	Reel Inlet	Reel Outlet
LDS-700	73	1000	3/4"	50'/70' **	1" NPT (F)	3/4" NPT (F)
LDS-1000	86	1000	1"	45'	1" NPT (F)	1" NPT (F)

Models with hose and hose stop - Low Pressure Only

Model #	Weight	PSI	Hose ID	Hose Length ft	Reel Inlet	Hose End Fitting
WD (Washdown)		Low Pressure				
LDS-750-WD	96	200	3/4"	50'	1" NPT (F)	3/4" NPT (M)*
LDS-770-WD	104	200	3/4"	70'	1" NPT (F)	3/4" NPT (M)*
LDS-1025-WD	100	200	1"	25'	1" NPT (F)	1" NPT (M)*
LDS-1045-WD	109	200	1"	45'	1" NPT (F)	1" NPT (M)*
CH (Chemical)		Low Pressure				
LDS-750-CH	96	300	3/4"	50'	1" NPT (F)	3/4" NPT (M)*
LDS-770-CH	104	300	3/4"	70'	1" NPT (F)	3/4" NPT (M)*
LDS-1025-CH	100	300	1"	25'	1" NPT (F)	1" NPT (M)*
LDS-1045-CH	109	300	1"	45'	1" NPT (F)	1" NPT (M)*

WD is white wash down hose with brass fittings and ferrules

NY is chemical hose with brass fittings and ferrules

D series stainless steel liquid path is available in SSB models; includes stainless steel shaft and swivel with BUNA; 250F 1000PSI

Fuel Reels must be static grounded by mounting method.

- * Can be furnished with different sizes upon request.
- ** Please specify the maximum hose length to be used.
- For 3/4" and 1" models, swivel is included in the package.