

# D-Series

For 3/8", 1/2", 3/4" and 1" Hose I.D.

**D-Series reels** are a rugged design for handling longer hose lengths up to 100' and ID from 3/8" to 1". Used for a wide variety of applications including air, water, oil, diesel fuel, used fluid evacuation, and applications where either long hose length or high flow rates are needed.

Reels available only in standard front hose payout position.  
 Mounting holes 1/2" dia for max 3/8" dia. bolt

	3/8 & 1/2	1/2 Dual	3/4 & 1
A	12 1/2	16 1/2	20 7/8 *
B	6	10	10
C	10	14	14
D	11 5/8	15 5/8	15 5/8

\* with swivel installed



**Product Name:**

Hosetract D-Series Low/Medium/High Pressure

**Manufacturer:**

Hosetract Industries Inc.  
 6433 Discount Drive  
 Fort Wayne, IN 46818  
 www.hosetract.com

**Optional:**

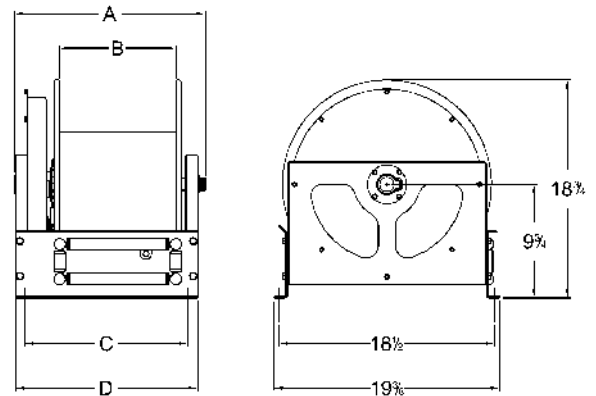
- Stainless Steel (DS -series)
- Suffix SSB includes stainless steel shaft and swivel

**Features:**

- Safety banded spring sealed springcase
- Compact design
- Guide rollers allow frictionless retrieval of hose
- Heavy duty spool and frame design
- Nonsparking latch mechanism

**3/8" & 1/2" Hose ID - Inlet 1/2" FPT**  
**3/4" & 1" Hose ID - Inlet 1" FPT**

**Max. Temp. - 200 F**



**Standard front  
 payout position**

# D-Series

For 3/8", 1/2", 3/4" and 1" Hose I.D.

## D Series

### Models without hose and hose stop

Model #	Weight	PSI	Hose Capacity ID	Hose Capacity ft	Reel Inlet	Reel Outlet
LD-300	68	1000	3/8"	100'	1/2" NPT (F)	1/2" NPT (F)
LD-500	68	1000	1/2"	75'	1/2" NPT (F)	1/2" NPT (F)
LD-700	81	1000	3/4"	75'	1" NPT (F)	3/4" NPT (F)
LD-700-SSB	81	1000	3/4"	75'	1" NPT (F)	3/4" NPT (F)
LD-1000	95	1000	1"	50'	1" NPT (F)	1" NPT (F)
LD-1000-SSB	95	1000	1"	50'	1" NPT (F)	1" NPT (F)
MD-300	75	3000	3/8"	75'	1/2" NPT (F)	1/2" NPT (F)
MD-500	75	3000	1/2"	50'	1/2" NPT (F)	1/2" NPT (F)
MD-700	75	2000	3/4"	50'	1" NPT (F)	3/4" NPT (F)
MD-1000	95	2000	1"	50'	1" NPT (F)	1" NPT (F)
HD-300	70	5000	3/8"	75'	1/4" NPT (F)	3/8" NPT (F)

### Models with hose and hose stop

Model #	Weight	PSI	Hose ID	Hose Length ft	Reel Inlet	Hose End Fitting
<b>AW (Air/Water)</b>		<b>Low Pressure</b>				
LD-3100	99	300	3/8"	100'	1/2" NPT (F)	1/4" NPT (M)*
LD-575	90	300	1/2"	75'	1/2" NPT (F)	1/2" NPT (M)*
LD-5100	99	300	1/2"	100'	1/2" NPT (F)	1/2" NPT (M)*
LD-750	95	300	3/4"	50'	1" NPT (F)	3/4" NPT (M)*
LD-775	101	300	3/4"	75'	1" NPT (F)	3/4" NPT (M)*
LD-1025	107	300	1"	25'	1" NPT (F)	1" NPT (M)*
LD-1050	121	300	1"	50'	1" NPT (F)	1" NPT (M)*
<b>LU (Lubricants)</b>		<b>Medium Pressure</b>				
MD-375	95	3000	3/8"	75'	1/2" NPT (F)	3/8" NPT (M)*
MD-575	95	2750	1/2"	75'	1/2" NPT (F)	1/2" NPT (M)*
MD-750	100	2000	3/4"	50'	1" NPT (F)	3/4" NPT (M)*
<b>GR (Grease)</b>		<b>High Pressure</b>				
HD-375	85	5000	3/8"	75'	1/4" NPT (F)	3/8" NPT (M)*

\* Can be furnished with different sizes upon request.

- For 3/8" and 1/2" models, swivel is pre-installed inside of spool. External swivel for inlet hookup is not provided. For 3/4" and 1" models, swivel is included in the package.