

C-Series

For 1/4", 3/8", and 1/2" Hose I.D.

C-Series all steel hose reels are designed for industrial applications and vehicle maintenance where rigorous daily use occurs. Heavy gauge base with no welds or bolts, this product will give years of dependable service in high use applications. With a carbon steel outlet swivel and fluid shaft, the reels are available for use in low pressure (300psi), medium pressure (2,000psi) and high pressure (5000psi) applications for air, water, oil, and grease. The latch mechanism is nonsparking in the event flammable gases or liquids are present. This product is ideal where hose storage and operating efficiency are needed. Full flow 1/2" shaft allows maximum delivery to the application point. Eight position guide arm allows easy adjustment to the position best suited.

Product Name:

Hosetract C-Series Low/Medium/High Pressure

Manufacturer:

Hosetract Industries Inc.
 6433 Discount Drive
 Fort Wayne, IN 46818
 www.hosetract.com

Swivel:

Standard: Brass / Stainless steel

Optional: -SSB

Stainless steel with BUNA O-ring
 Includes stainless steel shaft
 250F max temperature
 Swivel is rated 1000 PSI

-SSV

Stainless steel with Viton O-ring
 Includes stainless steel shaft
 400F max temperature
 Swivel is rated 4000 PSI

Constant Tension models available

Constant tension reels have the latching mechanism removed allowing for constant movement in and out of the reel. Used on devices with a hydraulic supply and return system such as mower decks on large tractors. These models are made with a unique bearing to provide long life with the high demands of this application.

-TU includes the guide arm

-CT does not include a guide arm

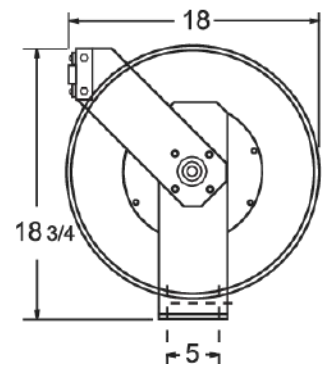
Features:

- Reels shipped standard front hose payout position.
- Available in Powder Coat or 304 Stainless Steel.(CS series)
- Mounting Slots - 1/2" wide x 3/4" deep for max 7/16" dia. bolt
- Safety banded spring in sealed springcase
- Nonsparking latch mechanism



**Inlet - 1/2" FPT (All LC, MC)
 1/4" FPT (All HC)**

Max. Temp. - 200F



**Standard front
 payout position**

C-Series

For 1/4", 3/8", and 1/2" Hose I.D.

C SERIES

Models without hose and hose stop

Model #	Weight	PSI	Hose Capacity ID	Hose Capacity ft	Reel Inlet	Reel Outlet
LC-300	46	1000	3/8"	70'	1/2" NPT (F)	1/2" NPT (F)
LC-500	46	1000	1/2"	50'	1/2" NPT (F)	1/2" NPT (F)
LC-500-SSB	47	1000	1/2"	50'	1/2" NPT (F)	1/2" NPT (F)
MC-300	47	3000	3/8"	50'	1/2" NPT (F)	1/2" NPT (F)
MC-300-SSV	48	3000	3/8"	50'	1/2" NPT (F)	1/2" NPT (F)
MC-500	47	3000	1/2"	50'	1/2" NPT (F)	1/2" NPT (F)
MC-500-CT	48	3000	1/2"	50'	1/2" NPT (F)	1/2" NPT (F)
MC-500-TU(CTG)	48	3000	1/2"	50'	1/2" NPT (F)	1/2" NPT (F)
MC-500-SSV	48	3000	1/2"	50'	1/2" NPT (F)	1/2" NPT (F)
HC-200	46	5000	1/4"	50'	1/4" NPT (F)	1/4" NPT (F)
HC-300	46	5000	3/8"	50'	1/4" NPT (F)	3/8" NPT (F)

Models with hose and hose stop

Model #	Weight	PSI	Hose ID	Hose Length ft	Reel Inlet	Hose End Fitting
AW (Air/Water)		Low Pressure				
LC-350 ★	55	300	3/8"	50'	1/2" NPT (F)	1/4" NPT (M)*
LC-370 ★	58	300	3/8"	70'	1/2" NPT (F)	1/4" NPT (M)*
LC-550 ★	58	300	1/2"	50'	1/2" NPT (F)	1/2" NPT (M)*
LU (Lubricants)		Medium Pressure				
MC-350	60	3000	3/8"	50'	1/2" NPT (F)	3/8" NPT (M)*
MC-550	62	2750	1/2"	50'	1/2" NPT (F)	1/2" NPT (M)*
MC-550-CT	63	2750	1/2"	50'	1/2" NPT (F)	1/2" NPT (M)*
MC-550-TU	63	2750	1/2"	50'	1/2" NPT (F)	1/2" NPT (M)*
GR (Grease)		High Pressure				
HC-250	57	5000	1/4"	50'	1/4" NPT (F)	1/4" NPT (M)*
HC-350	62	5000	3/8"	50'	1/4" NPT (F)	3/8" NPT (M)*

*Can be furnished with different sizes upon request.

★: Comes with inlet hose assembly

ACCESSORIES:

Hose Stop Assemblies



1234A - 1/4"

1233A - 3/8"

1232A - 1/2"

Mount Assemblies



1279A - I-Beam Bracket



1282A - Swivel Bracket