

## B-Series

For 1/4", 3/8" and 1/2" Hose I.D.

**B-Series all steel hose reels** are designed for industrial applications where heavy usage also needs a small footprint to accommodate. Built on a smaller scale with the same components as our workhorse C series reels, this reel's compact design fits easily into restricted space areas. Heavy gauge base with no welds or bolts, this product will give years of dependable service in high use applications. With a carbon steel outlet swivel and fluid shaft, the reels are available for use in low pressure (300psi), medium pressure (2,000psi) and high pressure (5000psi) applications for air, water, oil, and grease.

This product is ideal where hose storage and operating efficiency are needed. Full flow 1/2" shaft allows maximum delivery to the application point. Four position guide arm allows easy adjustment to the position best suited.

### Product Name:

Hosetract B-Series Low/Medium/High Pressure

### Manufacturer:

Hosetract Industries Inc.  
 6433 Discount Drive  
 Fort Wayne, IN 46818  
 www.hosetract.com

### Swivel:

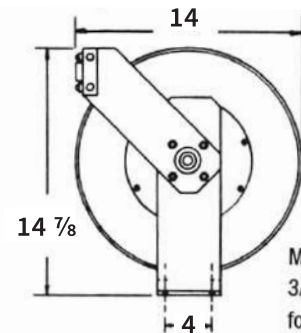
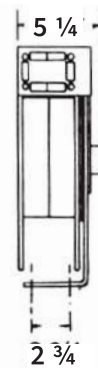
Standard: Carbon Steel zinc coated

### Features:

- Powder Coat finish
- Mounting Slots - 3/8" wide x 3/4" deep for max 5/16" dia. bolt
- Safety banded spring sealed springcase
- Full 1/2" flow path (Low and Medium pressure models)
- Compact design
- Reels shipped standard front hose payout position.
- Nonsparking latch mechanism



Inlet - 1/4" FPT (All HB)  
 - 1/2" FPT (All LB, MB)



Mounting Slots  
 3/8" wide x 3/4" deep  
 for max 5/16" dia. bolt

**Standard front  
 payout position**

# B-Series

For 1/4", 3/8" and 1/2" Hose I.D.

## B SERIES

### Models without hose and hose stop

| Model # | Weight | PSI  | Hose Capacity ID | Hose Capacity ft | Reel Inlet   | Reel Outlet  |
|---------|--------|------|------------------|------------------|--------------|--------------|
| LB-200  | 25     | 1000 | 1/4"             | 50'              | 1/2" NPT (F) | 3/8" NPT (F) |
| LB-300  | 25     | 1000 | 3/8"             | 35'              | 1/2" NPT (F) | 1/2" NPT (F) |
| LB-500  | 25     | 1000 | 1/2"             | 25'              | 1/2" NPT (F) | 1/2" NPT (F) |
| MB-300  | 22     | 3000 | 3/8"             | 35'              | 1/2" NPT (F) | 1/2" NPT (F) |
| MB-500  | 23     | 3000 | 1/2"             | 25'              | 1/2" NPT (F) | 1/2" NPT (F) |
| HB-200  | 25     | 5000 | 1/4"             | 35'              | 1/4" NPT (F) | 1/4" NPT (F) |
| HB-300  | 25     | 5000 | 3/8"             | 25'              | 1/4" NPT (F) | 3/8" NPT (F) |

### Models with hose and hose stop

| Model #                | Weight | PSI                    | Hose ID | Hose Length ft | Reel Inlet   | Hose End Fitting |  |
|------------------------|--------|------------------------|---------|----------------|--------------|------------------|--|
| <b>AW (Air/Water)</b>  |        | <b>Low Pressure</b>    |         |                |              |                  |  |
| LB-250 ★               | 29     | 300                    | 1/4"    | 50'            | 1/2" NPT (F) | 1/4" NPT (M) *   |  |
| LB-335 ★               | 32     | 300                    | 3/8"    | 35'            | 1/2" NPT (F) | 1/4" NPT (M) *   |  |
| LB-525 ★               | 32     | 300                    | 1/2"    | 25'            | 1/2" NPT (F) | 1/2" NPT (M) *   |  |
| <b>LU (Lubricants)</b> |        | <b>Medium Pressure</b> |         |                |              |                  |  |
| MB-335                 | 31     | 3000                   | 3/8"    | 35'            | 1/2" NPT (F) | 3/8" NPT (M) *   |  |
| MB-525                 | 31     | 2750                   | 1/2"    | 25'            | 1/2" NPT (F) | 1/2" NPT (M) *   |  |
| <b>GR (Grease)</b>     |        | <b>High Pressure</b>   |         |                |              |                  |  |
| HB-235                 | 33     | 5000                   | 1/4"    | 35'            | 1/4" NPT (F) | 1/4" NPT (M) *   |  |
| HB-325                 | 34     | 5000                   | 3/8"    | 25'            | 1/4" NPT (F) | 3/8" NPT (M) *   |  |

\* Can be furnished with different sizes upon request.

★: Comes with inlet hose assembly

## ACCESSORIES:

### Hose Stop Assemblies



1234A - 1/4"

1233A - 3/8"

1232A - 1/2"