

Unitract™ Series

For 3/8" and 1/2" Hose I.D.

Unitract™ Series Low Pressure reels are ideally suited for plant maintenance or many other industrial functions where hose storage is a problem. Standard hose for air, water and oxygen/acetylene applications. Hose can be dispensed and retracted with greater ease and expedience coiling by hand. The Unitract™ series fits easily into height restricted areas, and is a lighter duty reel. Designed for stationary applications; do not use on mobile applications.

Product Name:

Hosetract Unitract™ Low Pressure

Manufacturer:

Hosetract Industries Inc.
6433 Discount Drive
Fort Wayne, IN 46818
www.hosetract.com

Swivel:

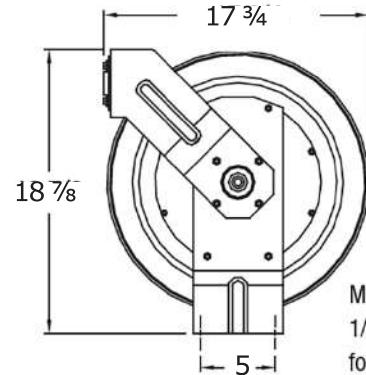
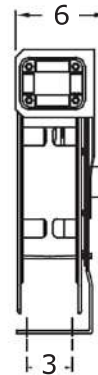
Brass / Stainless Steel

Features:

- Safety banded spring in sealed in springcase
- Weighs 10 lbs. less than C Series
- Guide arm can be adjusted to 8 Positions
- Simple design incorporates fewer parts
- Heavy gauge base with no welds
- Reels shipped standard from hose payout position.
- Powder coat finish
- Nonsparking latch mechanism



**Inlet - 1/2" FPT
Max. Temp. - 200 F**



Mounting Slots
1/2" wide x 3/4" deep
for max 7/16" dia. bolt

**Standard front
hose payout position**

Unitract™ Series

For 3/8" and 1/2" Hose I.D.

UTL SERIES

Models without hose and hose stop

Model #	Weight	PSI	Hose Capacity ID	Hose Capacity ft	Reel Inlet	Reel Outlet
UTL-300	36	1000	3/8"	50'	1/2" NPT (F)	1/2" NPT (F)
UTL-500	36	1000	1/2"	50'	1/2" NPT (F)	1/2" NPT (F)

Models with hose and hose stop

Model #	Weight	PSI	Hose ID	Hose Length ft	Reel Inlet	Hose End Fitting
UTL-350 ★	44	300	3/8"	50'	1/2" NPT (F)	1/4" NPT (M)*
UTL-550 ★	47	300	1/2"	50'	1/2" NPT (F)	1/2" NPT (M)*

*Can be furnished with different sizes upon request.

★: Comes with inlet hose assembly

ACCESSORIES:

Hose Stop Assemblies



1234A - 1/4"

1233A - 3/8"

1232A - 1/2"

Mount Assemblies



1279A - I-Beam Bracket



1282A - Swivel Bracket