

M-Series

For 3/8" and 1/2" Hose I.D.

M-Series are manual driven hose reels where long lengths of hose are required, as in Agriculture, Power Wash, Pest Control and Construction trades. Hose can be dispensed and retracted with greater ease and expedience than coiling by hand. Designed for heavy duty applications.

All reels shipped less hose unless requested on quote basis.
 Mounting holes 1/2" dia.

Series	Dimensions		
	A	B	C
M 5-5	5	7 3/4	8 3/4
M 10-5	10	12 3/4	13 3/4
M 15-5	15	18 1/2	19 1/2
M 20-5	20	23 1/2	24 1/2
M 25-5	25	28 1/2	29 1/2

Product Name:

Hosetract M-Series 3/8" and 1/2"

Manufacturer:

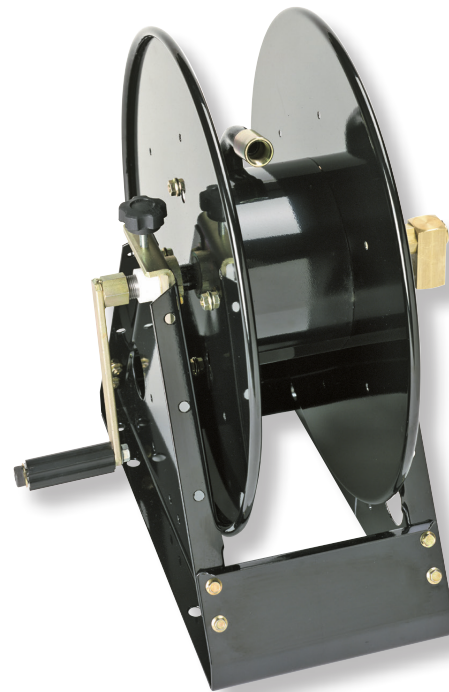
Hosetract Industries Inc.
 6433 Discount Drive
 Fort Wayne, IN 46818
 www.hosetract.com

Features:

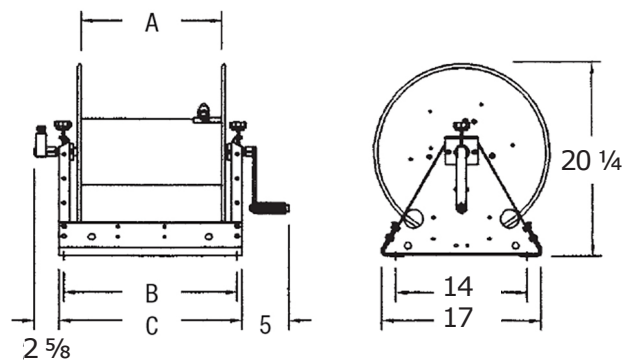
- The rewinding handle and the swivel's positions are interchangeable
- External swivel can be serviced without taking down the reel
- Bolted construction
- Adjustable tension knob and spool locking pin for easy handling
- Mounting base is light and strong
- Steel constuction with powder coated finish
- Heavy duty ABS bearings require no lubrication for years of dependable service.
- Also available in stainless steel (MS-series)

Standard Accessories:

- Outlet swivel elbow
- Reducer bushing
- Inlet swivel
- Crank handle



Max. Temp. — 200°F



M-Series

For 3/8" and 1/2" Hose I.D.

M Series

Models without hose and hose stop

Model #	Weight	PSI	Hose Capacity 3/8"	Hose Capacity 1/2"	Reel Inlet	Reel Outlet
M 5-5	30	4000	100'	75'	1/2" NPT (F)	1/2" NPT (F)
M 10-5	39	4000	250'	175'	1/2" NPT (F)	1/2" NPT (F)
M 15-5	51	4000	350'	350'	1/2" NPT (F)	1/2" NPT (F)
M 20-5	62	4000	450'	450'	1/2" NPT (F)	1/2" NPT (F)
M 25-5	74	4000	550'	550'	1/2" NPT (F)	1/2" NPT (F)
High Pressure Stainless Steel Liquid Path						
M 5-5-SS	30	4000	100'	75'	1/2" NPT (F)	1/2" NPT (F)
M 10-5-SS	39	4000	250'	175'	1/2" NPT (F)	1/2" NPT (F)
M 15-5-SS	51	4000	350'	275'	1/2" NPT (F)	1/2" NPT (F)
M 20-5-SS	62	4000	450'	375'	1/2" NPT (F)	1/2" NPT (F)
M 25-5-SS	74	4000	550'	475'	1/2" NPT (F)	1/2" NPT (F)