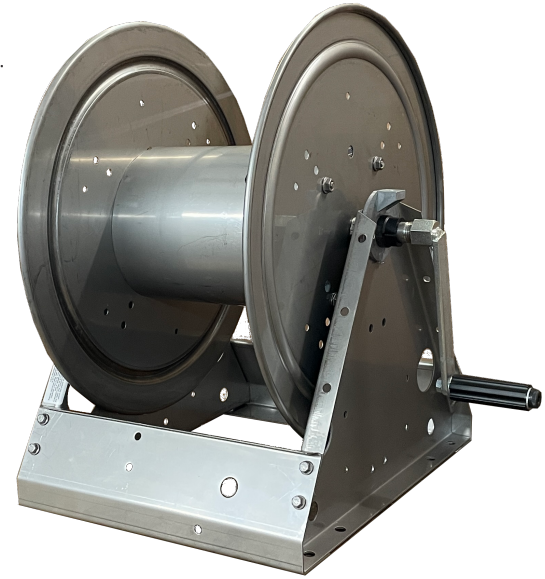


MS-Series

Industrial Grade for Professional Use

For 3/8" and 1/2" Hose I.D.

MS-Series are manual driven hose reels where long lengths of hose are required, as in Agriculture, Power Wash, Pest Control and Construction trades. Hose can be dispensed and retracted with greater ease and expedience than coiling by hand. The stainless steel construction should be utilized in harsh environments, such as chemical clean up or when an exceptionally clean area has to be maintained. All reels are shipped less hose unless requested on quote basis. Mounting holes 1/2" diameter.



Series	Dimensions		
	A	B	C
MS 5-5	5	7 3/4	8 3/4
MS 10-5	10	12 3/4	13 3/4
MS 15-5	15	18 1/2	19 1/2
MS 20-5	20	23 1/2	24 1/2
MS 25-5	25	28 1/2	29 1/2

Product Name:

Hosetract MS-Series

Manufacturer:

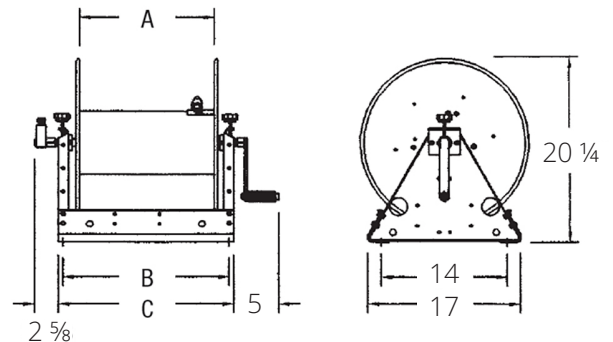
 Hosetract Industries Inc.
 6433 Discount Drive
 Fort Wayne, IN 46818
www.hosetract.com
Features:

- The rewinding handle and the swivel's positions are interchangeable
- External swivel can be serviced without taking down the reel
- Bolted construction
- Adjustable tension knob and spool locking pin for easy handling
- Mounting base is light and strong
- Heavy duty ABS bearings require no lubrication for years of dependable service.

Standard Accessories:

- Swivel elbow for hose hookup
- Reducer bushing
- Inlet swivel
- Crank handle

Inlet — 1/2" FPT Max. Temp. — 200°F



MS-Series Industrial Grade for Professional Use

For 3/8" and 1/2" Hose I.D.

MS series

Models without hose and hose stop

Model #	Weight	PSI	Hose Capacity 3/8"	Hose Capacity 1/2"	Reel Inlet	Reel Outlet
MS 5-5	31	4000	100'	75'	1/2" NPT (F)	1/2" NPT (F)
MS 10-5	39	4000	250'	175'	1/2" NPT (F)	1/2" NPT (F)
MS 15-5	51	4000	350'	275'	1/2" NPT (F)	1/2" NPT (F)
MS 20-5	62	4000	450'	375'	1/2" NPT (F)	1/2" NPT (F)
MS 25-5	74	4000	550'	475'	1/2" NPT (F)	1/2" NPT (F)