

Low-Pro Series

Industrial Grade for Professional Use

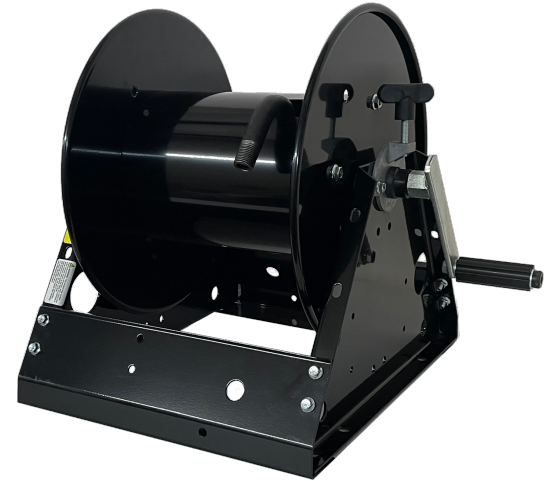
For 3/8" and 1/2" Hose I.D.

Low Profile Manual Driven Hose Reel fits easily into height restricted areas. It's ideally applied where long lengths of hose are required, as in Agriculture, Power Wash, Pest Maintenance, and Construction trades. Hose can be dispensed and retracted with greater ease and expedience than coiling by hand.

Steel constructed heavy duty reel for industrial applications.

SERIES	DIMENSIONS		
	A	B	C
Low-Pro	A	B	C
M 5-5	5	7 3/4	8 3/4
M 10-5	10	12 3/4	13 3/4
M 15-5	15	18 1/2	19 1/2
M 20-5	20	23 1/2	24 1/2
M 25-5	25	28 1/2	29 1/2

All reels shipped less hose unless requested on quote basis.
 Mounting holes 1/2" dia.



Product Name:

Hosetract Low-Pro Series

Manufacturer:

Hosetract Industries Inc.
 6433 Discount Drive
 Fort Wayne, IN 46818
 www.hosetract.com

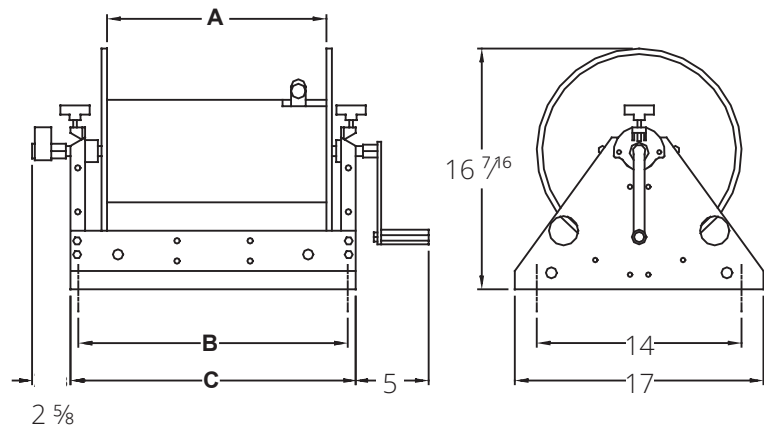
Features:

- Fits into areas where less head room is available.
- Flow through shaft for left or right hand installation.
- Mounting base is light and strong.
- External swivel can be serviced on the reel.
- Hand adjustable drag brake to prevent back rush.
- Lock pin to prevent spool rotation when not in use.
- Bolted construction no welds to Fatigue
- Steel construction with powder coated finish
- Heavy duty ABS bearings require no lubrication for years of dependable service.

Standard Accessories:

- Swivel elbow for hose hookup
- Reducer bushing
- Inlet swivel
- Crank handle

Inlet - 1/2" FPT
Max. Temp. - 200°F



Low-Pro Series Industrial Grade for Professional Use

For 3/8" and 1/2" Hose I.D.

M Series - Low-Pro

Models without hose and hose stop

Model #	Weight	PSI	Hose Capacity 3/8"	Hose Capacity 1/2"	Reel Inlet	Reel Outlet
M 5-5 Low-Pro	30	4000	75'	50'	1/2" NPT (F)	1/2" NPT (F)
M 10-5 Low-Pro	39	4000	150'	100'	1/2" NPT (F)	1/2" NPT (F)
M 15-5 Low-Pro	51	4000	225'	150'	1/2" NPT (F)	1/2" NPT (F)
M 20-5 Low Pro	62	4000	300'	200'	1/2" NPT (F)	1/2" NPT (F)
M 25-5 Low-Pro	74	4000	375'	250'	1/2" NPT (F)	1/2" NPT (F)
High Pressure Stainless Liquid Path						
M 5-5-SS-LP	30	4000	75'	50'	1/2" NPT (F)	1/2" NPT (F)
M 10-5-SS-LP	39	4000	150'	100'	1/2" NPT (F)	1/2" NPT (F)
M 15-5-SS-LP	51	4000	225'	150'	1/2" NPT (F)	1/2" NPT (F)
M 20-5-SS-LP	62	4000	300'	200'	1/2" NPT (F)	1/2" NPT (F)
M 25-5-SS-LP	74	4000	375'	250'	1/2" NPT (F)	1/2" NPT (F)